

# Briton

## 5000 Series Floor Spring

Door controls



The Briton 5000 Series Floor Springs fit many applications, such as main entry doors to shopping centres, malls, airports, office buildings, hotels and hospitals. The Briton 5000 Series Floor Springs provide reliable, durable solutions for commercial applications.

### Features

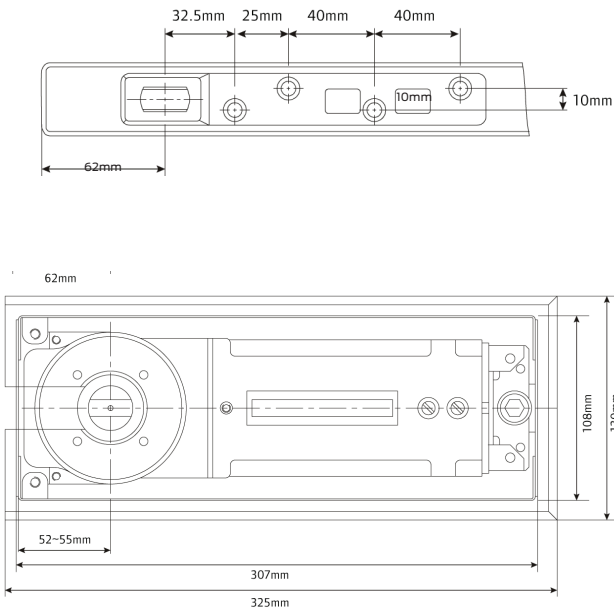
- Fixed spring strength 3 or 4 to suit door size
- Closer cylinder construction of high-strength cast iron for maximum durability
- Tested to 500,000 cycles
- Independent closing and latching speed adjustments
- All adjustment screws concealed behind cover plate to prevent tampering
- Door Adjustment - Floor Spring Body can be adjusted within cement box for width, length and height alignment
- Stainless steel cover

Warranties	
Mechanical	10 years
Finish	<a href="http://allegion.co.nz/finisheswarranty">allegion.co.nz/finisheswarranty</a>

# Specification guide

Model	Hold open function	Finish
Briton 5003 Series.....BNT-5003	90° ..... 90	Satin stainless steel..... SSS
Briton 5004 Series.....BNT-5004	105°..... 105	
	None ..... -	

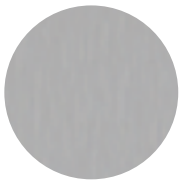
1. Model  
Select the desired model ..... BNT-5003
2. Hold open function  
Select hold open degree as required e.g. 90°..... BNT-5003/90
3. Finish  
Select the desired finish e.g. Satin stainless steel ..... BNT-5003/90/SSS



## Specifications

<b>Door type</b>	Timber, metal or glass
<b>Door size</b>	Refer selection chart
<b>Door weight</b>	Refer selection chart
<b>Door thickness</b>	Metal - minimum 37mm Timber - minimum 44mm Glass - 10 to 12mm (with patch fittings)
<b>Applications</b>	Non hold open Hold open 90° or 105°
<b>Adjustment controls</b>	Closing speed 130°-15° Latching speed 15°-0°
<b>Strength</b>	Fixed. 5003 - size 3, 5004 - size 4

## Finish

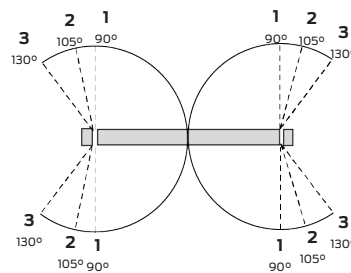


**SSS**

Satin Stainless Steel

## Door opening guide

1. Optional 90° hold open
2. Optional 105° hold open
3. Maximum opening range 130°



## Selection chart

Strength	Maximum door width	Maximum door weight
3 - 5003	1000mm	100kg
4 - 5004	1100mm	100kg

C232